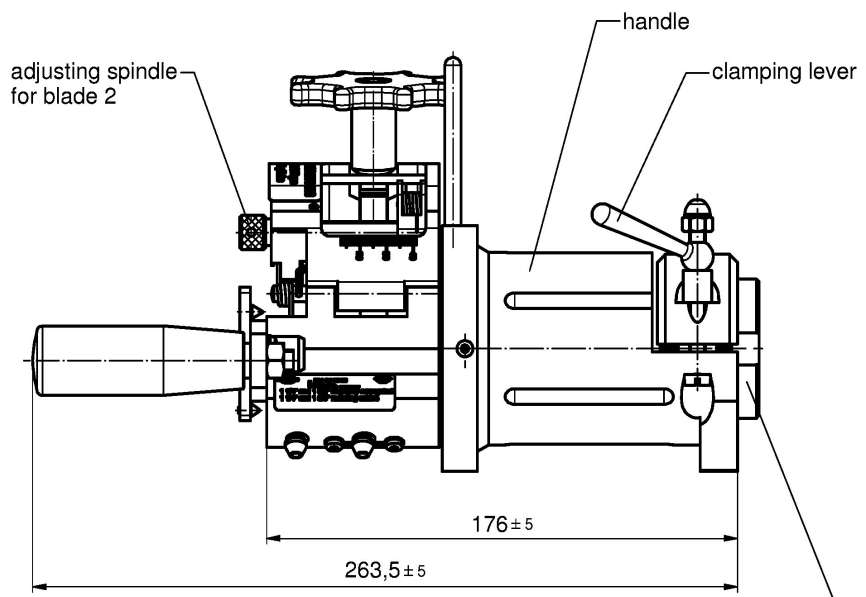


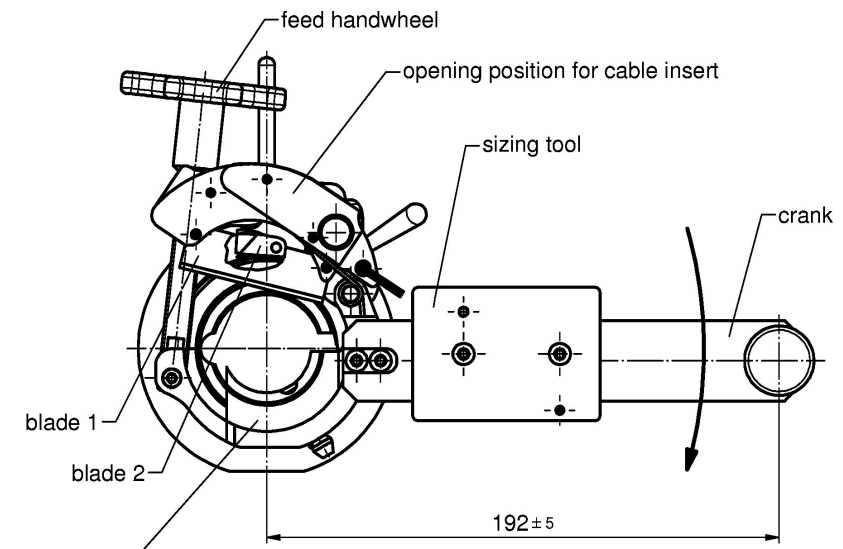
© 1999 Spinner GmbH Elektrotechnische Fabrik
 This drawing is proprietary to us. All rights reserved.
 Any use, transfer or reproduction of the drawing or the
 know-how contained therein requires our express consent.

Freigegeben

Diese Zeichnung ist unser Eigentum. Verwendung, Vervielfältigung,
 Weitergabe der Zeichnungen oder des darin enthaltenen
 Know-hows an Dritte nur mit unserer ausdrücklichen Genehmigung.



clamping device for 1 1/4" annularly corrugated cable assembled



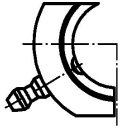
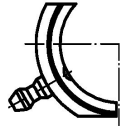
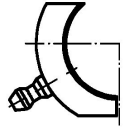
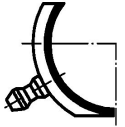
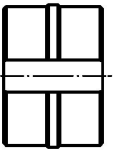
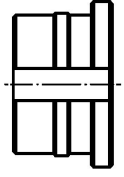
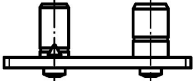

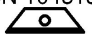
collet half for 1 1/4" annularly corrugated cable assembled

material and surfaces:
 upper and lower parts aluminium alloy
 blades steel hardened
 springs and pins stainless steel
 clamping device and collet halves PA

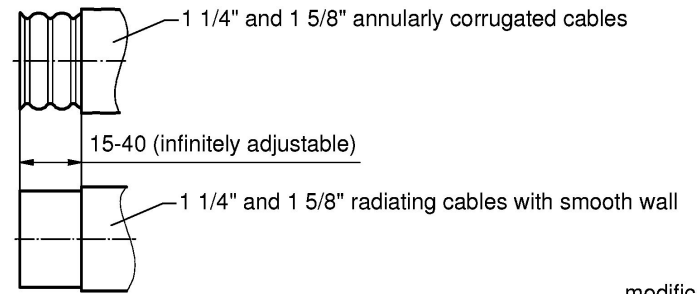
weight of trimming tool: approx. 1,8 kg

instructions for use: M32129

accessories / part no.:
 (part of delivery)

1 1/4" annularly corrugated cable collet half BN B01276 	1 5/8" annularly corrugated cable collet half BN B01277 	1 1/4" radiating cable with smooth wall collet half BN B01278 	1 5/8" radiating cable with smooth wall collet half BN B06975 
1 1/4" annularly corr. cable 1 1/4" radiating cable clamping device BN A09314 	1 5/8" radiating cable with smooth wall clamping device BN A37263 	1 1/4" and 1 5/8" annularly corrugated cable sizing tool BN B14022 	blades blade 1 BN A09323  blade 2 BN 104818 

trimming dimensions



modifications reserved

Dimensions without tolerances according DIN ISO 2768-m Part 1			Date	Name	Designation: trimming tool for cable size 1 1/4" and 1 5/8"			
Drawn	22.04.2010	Dovranic	Checked	12.05.2010		Binder		
Approved								
Iss.	Mod.Nr.	Date	Name	Spinner GmbH Erzgiessereistr. 33 80335 München Germany		Drawing-Nr.:	Format	Scale
				541346-0E		A3	1 : 2	