

12 MONTH LIMITED WARRANTY

MFJ Enterprises, Inc. Warrants to the original owner of this product, if manufactured by MFJ Enterprises, Inc. and purchased from an authorized dealer or directly from MFJ Enterprises, Inc. to be free from defects in material and workmanship for a period of 12 months from date of purchase provided the following terms of this warranty are satisfied.

1. The purchaser must retain the dated proof-of-purchase (bill of sale, canceled check, credit card or money order receipt, etc.) describing the product to establish the validity of the warranty claim and submit the original or machine reproduction of such proof-of-purchase to MFJ Enterprises, Inc. at the time of warranty service. MFJ Enterprises, Inc. shall have the discretion to deny warranty without dated proof-of-purchase. Any evidence of alteration, erasure, or forgery shall be cause to void any and all warranty terms immediately.
2. MFJ Enterprises, Inc. agrees to repair or replace at MFJ's option without charge to the original owner any defective product under warranty, provided the product is returned postage prepaid to MFJ Enterprises, Inc. with a personal check, cashiers check, or money order for \$7.00 covering postage and handling.
3. MFJ Enterprises, Inc. will supply replacement parts free of charge for any MFJ product under warranty upon request. A dated proof-of-purchase and a \$5.00 personal check, cashiers check, or money order must be provided to cover postage and handling.
4. This warranty is NOT void for owners who attempt to repair defective units. Technical consultation is available by calling (662) 323-5869.
5. This warranty does not apply to kits sold by or manufactured by MFJ Enterprises, Inc.
6. Wired and tested PC board products are covered by this warranty provided only the wired and tested PC board product is returned. Wired and tested PC boards installed in the owner's cabinet or connected to switches, jacks, or cables, etc. sent to MFJ Enterprises, Inc. will be returned at the owner's expense unrepared.
7. Under no circumstances is MFJ Enterprises, Inc. liable for consequential damages to person or property by the use of any MFJ products.
8. Out-of-warranty Service: MFJ Enterprises, Inc. will repair any out-of-warranty product provided the unit is shipped prepaid. All repaired units will be shipped COD to the owner. Repair charges will be added to the COD fee unless other arrangements are made.
9. This warranty is given in lieu of any other warranty expressed or implied.
10. MFJ Enterprises, Inc. reserves the right to make changes or improvements in design or manufacture without incurring any obligation to install such changes upon any of the products previously manufactured.
11. All MFJ products to be serviced in-warranty or out-of-warranty should be addressed to MFJ Enterprises, Inc., 300 Industrial Park Road, Starkville, Mississippi 39759, USA and must be accompanied by a letter describing the problem in detail along with a copy of your dated proof-of-purchase.
12. This warranty gives you specific rights, and you may also have other rights, which vary from state to state.

MFJ-297 Desktop Microphone Instruction Manual

Please read this instruction manual completely before using the MFJ-297 Desktop Microphone.

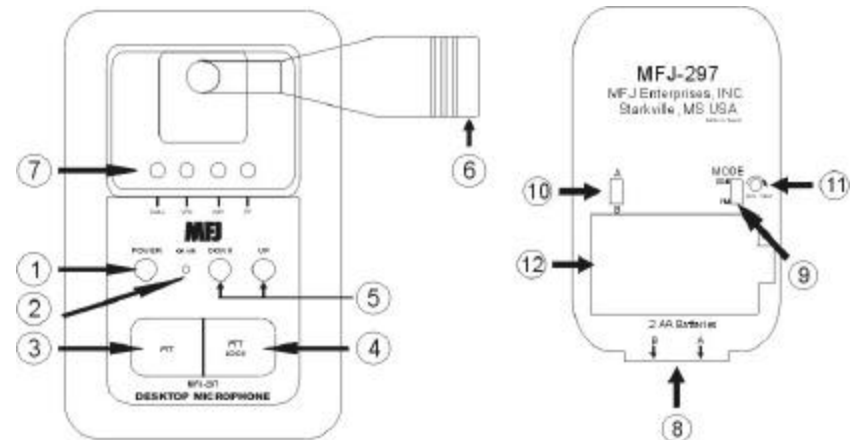
Warning! The MFJ-297 is not designed for two transceivers to be connected at the same time. If two transceivers are connected at the same time, serious damage may result to both transceivers.

Features

- High quality low noise microphone
- Highly sensitive condenser microphone
- Built-in Amplifier
- Voice quality selector switch for FM or SSB use
- Electronic touch switch for PTT and PTT (LOCK) operation
- LED "ON AIR" indicator
- UP & DOWN buttons to change radio-operating frequency from the microphone
- CALL, VFO, MR, and PF function buttons (for Kenwood transceivers)
- Flexible gooseneck

Specifications

- Microphone : Wide-band Electric Condenser Microphone
- Output Voltage : 1 – 30 mV (RMS)
- Output Impedance : 500 – 100K Ω
- Power Source : 2 AA Batteries
- Power Consumption : 2 mA (RX), 3 mA (TX)
- Dimensions : 3.93701 (W) X 6.10236 (D) X 1.37795 (H) inches
- Weight : 0.99208 lbs.



CONTROLS

- Power Switch.** Press switch to turn the power “ON”. The “ON AIR” indicator should begin to flash. Press the switch again to turn the power “OFF”.
- ON AIR LED Indicator.** When the power is “ON”, the LED will flash to indicate receive (RX) mode and the LED will be illuminated continuously when in transmit (TX) mode. When the power is “OFF”, the LED will not be illuminated.
- PTT Switch.** Press the switch for transmit mode and release the switch for receive mode. This can be used for a short QSO. If you have pressed the PTT LOCK switch, the lock can be released by pressing the PTT switch.
- PTT LOCK Switch.** Press the switch to lock the microphone in transmit mode. The “ON AIR” LED indicator will remain illuminated after the switch is released. To disable the lock feature, press the PTT switch to return to receive mode.
- UP/DOWN Switches.** These switches are for changing the radio frequency up and down. For details, please refer to your transceiver instruction manual.
- Microphone.** An electret condenser microphone is used for clear voice quality.
- Special Function Buttons.** These buttons allow you remote access to the special features on your transceiver. These buttons are not compatible with all transceivers. The buttons are as follows:
CALL – Selects the call frequency
VFO – Selects VFO mode for manual tuning
MR – Memory Recall selects preset memory tuning
PF – Activates the Preset Function feature
- Microphone Output Connectors.** Please use an interconnecting cable that is compatible with your transceiver. Cables are available separately. For ICOM and MFJ transceivers, plug the cable into Microphone Output Connector “A”. For Yaesu and Kenwood transceivers, plug the cable into Microphone Output Connector “B”.
- FM/SSB Voice Quality Selector Switch.** Change the selector switch for the microphone output audio quality for the mode in which you will be operating. In FM mode operation, the output is adjusted to provide a clear voice quality with wide frequency characteristics. In SSB mode operation, the output is adjusted to provide a sharp and crisp voice quality for effective DXing.
- Selector for Output.** The switch allows you to select the Microphone Output Connector that is suitable for your transceiver. For ICOM, Yaesu, and MFJ transceivers, the selector switch should be placed in the “A” position. For Kenwood transceivers, the switch should be placed in the “B” position.
- Output adjustment Volume.** This is factory set to 10 mV RMS output from the microphone. If needed use a 3mm flat head screwdriver to adjust the output to suit your transceiver.

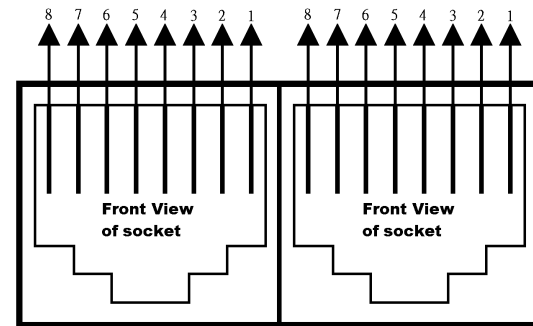
- Battery Cover.** Open the battery cover and insert two fresh AA batteries (not included). Be sure to note the polarity markings inside the battery compartment.

Caution

- Please be careful about high SWR of antenna and incomplete grounding. This may cause RF feedback noise and could damage the MFJ-297.
- Please turn off the power after use to extend battery life.
- It is recommended that the batteries be removed from the MFJ-297 for prolonged periods of inactivity.
- Do not place the MFJ-297 in high temperatures and avoid direct sunlight.
- Do not connect more than one transceiver at a time to the MFJ-297. This could damage the transceivers.

Cables for MFJ-297 Desktop Microphone

MFJ Model No.	Compatible Transceivers	Microphone Output Connector	Selector Switch Position
MFJ-5397I	ICOM 8-Pin Round	A	A
MFJ-5397K	Kenwood 8-Pin Round	B	B
MFJ-5397Y	Yaesu 8-Pin Round	B	A
MFJ-5397MX	ICOM 8-Pin Modular	A	A
MFJ-5397MX	Kenwood 8-Pin Modular	B	B
MFJ-5397MY	Yaesu 8-Pin Modular	B	A
MFJ-5399	MFJ	A	A



- | | |
|----------------------|-------------------|
| A | B |
| 1. No Connect | 1. Frequency Up |
| 2. PTT GND | 2. +8VDC |
| 3. MIC Input | 3. PTT GND |
| 4. MIC GND | 4. PTT |
| 5. PTT | 5. MIC GND |
| 6. No Connect | 6. MIC Input |
| 7. Frequency Up/Down | 7. No Connect |
| 8. +8VDC | 8. Frequency Down |