






- Relays of general application
- For plug-in sockets, 35 mm rail mount acc. to PN-EN 60715 or on panel mounting
- Flat insert connectors - faston 4,8 x 0,5 mm
- Recognitions, certifications, directives: RoHS,   

Contact data

Number and type of contacts		2 C/O
Contact material		AgNi , AgCdO
Rated / max. switching voltage	AC	250 V / 440 V
Min. switching voltage		5 V AgNi, 10 V AgCdO
Rated load	AC1	12 A / 250 V AC
	DC1	12 A / 30 V DC
Min. switching current		5 mA AgNi, 10 mA AgCdO
Max. inrush current		20 A
Rated current		12 A
Max. breaking capacity	AC1	3 000 VA
Min. breaking capacity		0,3 W AgNi, 1 W AgCdO
Contact resistance		≤ 100 mΩ
Max. operating frequency	AC1	• at rated load
		• no load
		1 200 cycles/hour 18 000 cycles/hour

Coil data

Rated voltage	50/60 Hz AC	6...240 V
	DC	5...220 V
Must release voltage		AC: ≥ 0,2 U _n DC: ≥ 0,1 U _n
Operating range of supply voltage		see Tables 1, 2
Rated power consumption	AC	1,6 VA
	DC	0,9 W

Insulation according to PN-EN 60664-1

Insulation rated voltage		250 V AC
Rated surge voltage		4 000 V 1,2 / 50 μs
Overtoltage category		III
Insulation pollution degree		3
Dielectric strength	• between coil and contacts	2 500 V AC type of insulation: basic
	• contact clearance	1 000 V AC type of clearance: micro-disconnection
	• pole - pole	2 500 V AC type of insulation: basic
Contact - coil distance	• clearance	≥ 2,6 mm
	• creepage	≥ 4 mm

General data

Operating / release time (typical values)		15 ms / 10 ms
Electrical life	• resistive AC1	≥ 10 ⁵ 12 A, 250 V AC
	• cos φ	see Fig. 2
Mechanical life (cycles)		≥ 10 ⁷
Dimensions (L x W x H)		27,5 x 21,1 x 34,5 mm ①
Weight		35 g
Ambient temperature	• storage	-40...+70 °C
	• operating	-40...+55 °C
Cover protection category		IP 40 PN-EN 60529
Shock resistance		10 g
Vibration resistance		5 g 15...150 Hz

The data in bold type pertain to the standard versions of the relays.

① For plug-in sockets version: standard

Coil data - DC voltage version

Table 1

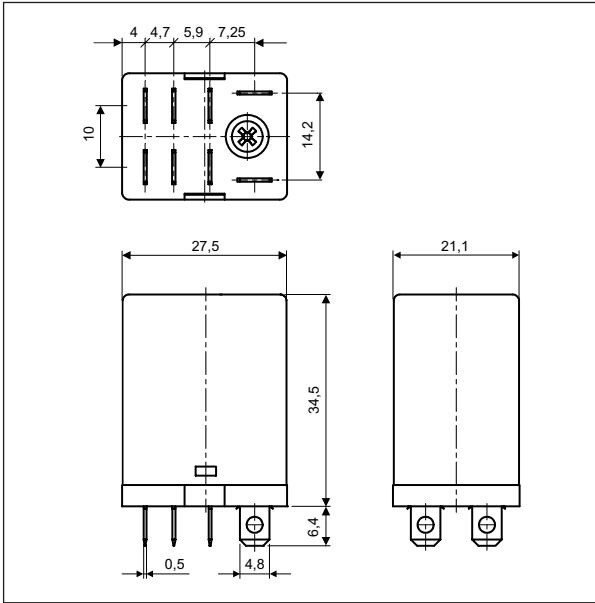
Coil code	Rated voltage V DC	Coil resistance $\pm 10\%$ at 20 °C Ω	Coil operating range V DC	
			min. (at 20°C)	max. (at 55°C)
1005	5	28	4,0	5,5
1006	6	40	4,8	6,6
1012	12	160	9,6	13,2
1024	24	640	19,2	26,4
1048	48	2 600	38,4	52,8
1060	60	4 000	48,0	66,0
1080	80	7 100	64,0	88,0
1110	110	13 600	88,0	121,0
1125	125	16 000	100,0	137,5
1220	220	54 000	176,0	242,0

Coil data - AC 50/60 Hz voltage version

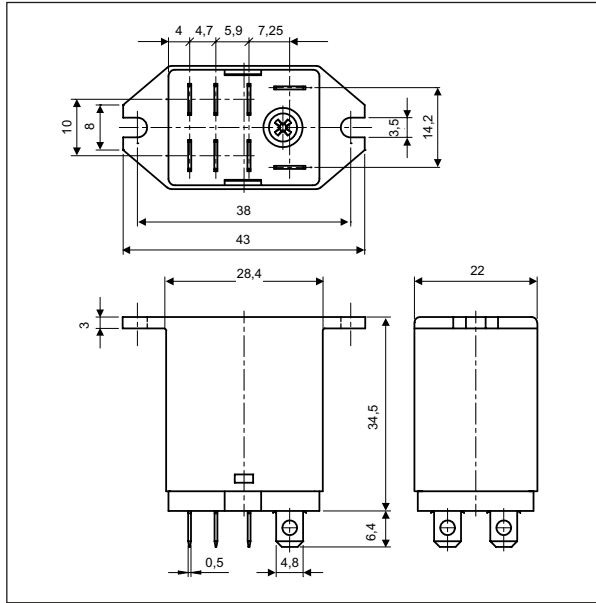
Table 2

Coil code	Rated voltage V AC	Coil resistance $\pm 10\%$ at 20 °C Ω	Coil operating range V AC	
			min. (at 20°C)	max. (at 55°C)
5006	6	9,8	4,8	6,6
5012	12	39,5	9,6	13,2
5024	24	158,0	19,2	26,4
5042	42	470,0	33,6	46,2
5048	48	640,0	38,4	52,8
5060	60	930,0	48,0	66,0
5080	80	1 720,0	64,0	88,0
5110	110	3 450,0	88,0	121,0
5120	120	3 770,0	96,0	132,0
5127	127	4 000,0	101,6	139,7
5220	220	15 400,0	176,0	242,0
5230	230	16 100,0	184,0	253,0
5240	240	16 800,0	192,0	264,0

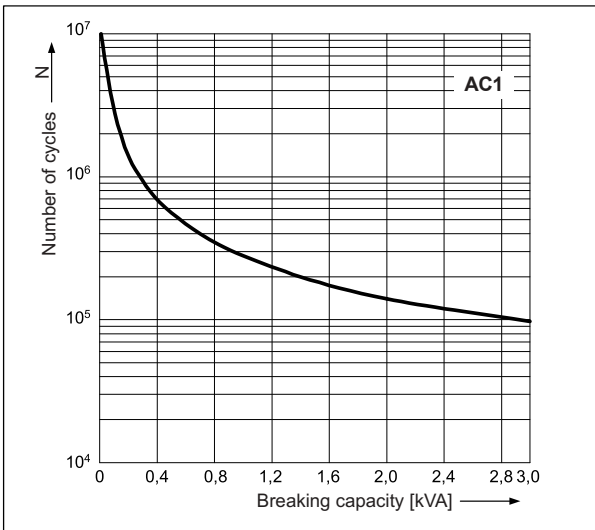
Dimensions - plug-in version (standard)



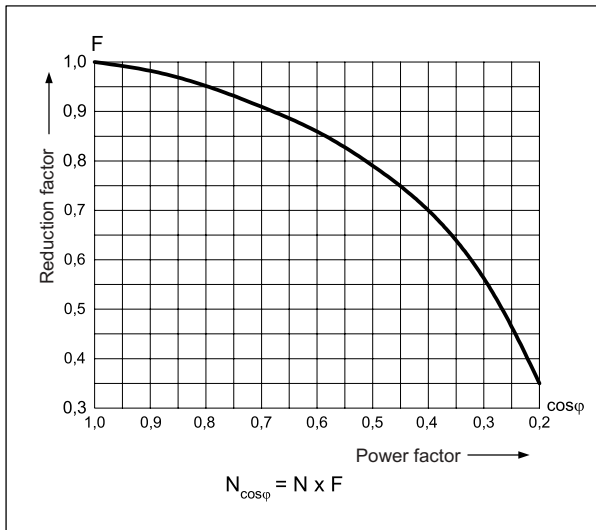
Dimensions - version with mounting flange in the upper wall of the cover



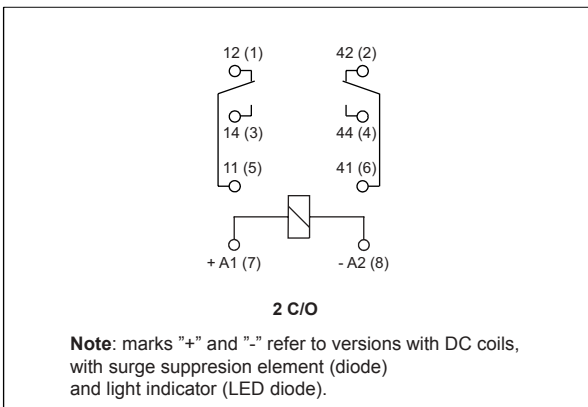
Electrical life at AC resistive load. Maximum switching frequency at rated load Fig. 1



Electrical life reduction factor at AC inductive load Fig. 2



Connection diagram (pin side view)

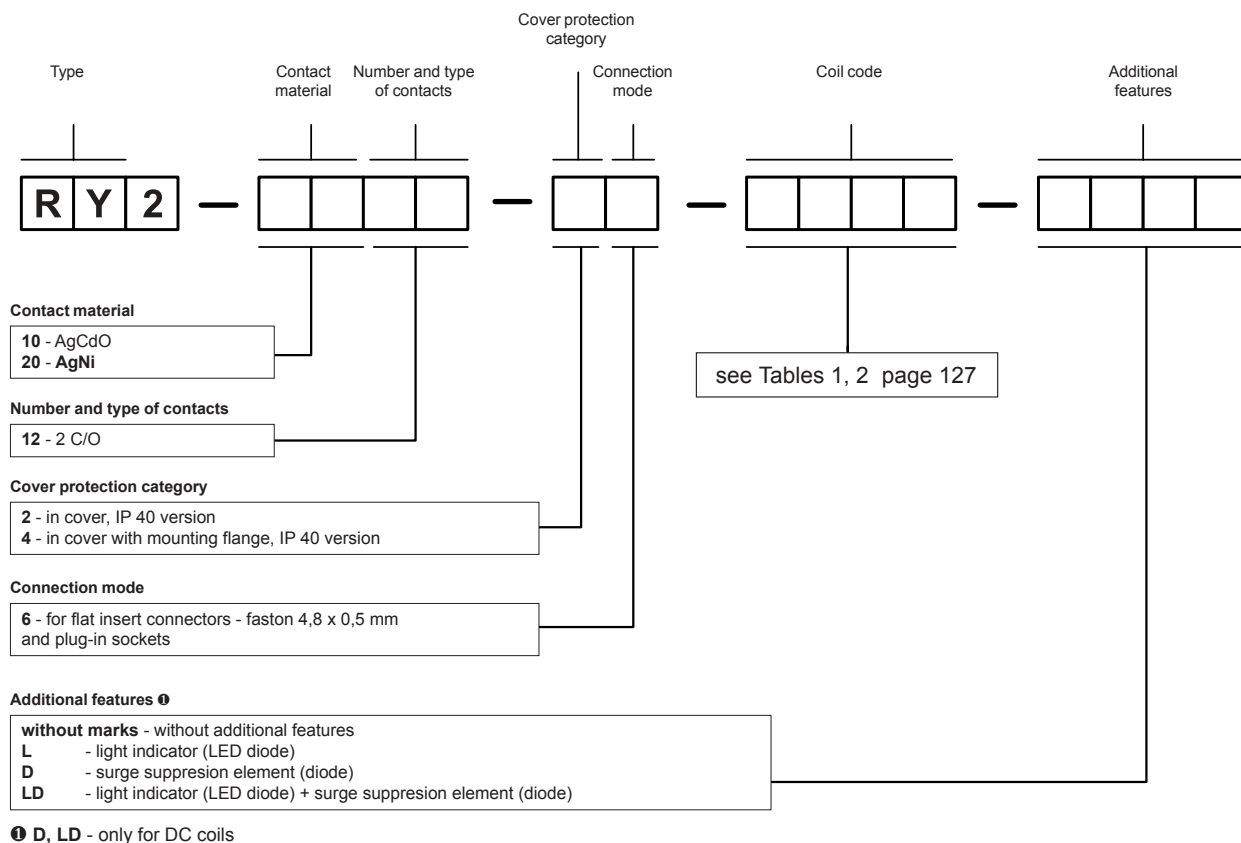


Mounting

Relays RY2 are offered in versions: • standard, for plug-in sockets • with mounting flange in the upper wall of the cover.

Relays RY2 are designed for: • screw terminals plug-in sockets **GZY2** with clip **GZY 2000** and spring clamp **GZ2 1111**, 35 mm rail mount acc. to PN-EN 60715 or on panel mounting with two M3 screws • flat insert connectors - faston 4,8 x 0,5 mm.

Ordering codes



Examples of ordering codes:

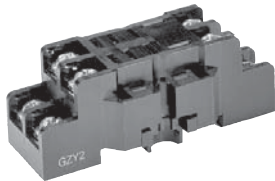
- RY2-2012-26-1024** relay RY2, contact material AgNi, with two changeover contacts, in cover IP 40, for flat insert connectors - faston 4,8 x 0,5 mm and plug-in sockets, voltage version 24 V DC
- RY2-2012-26-5230-L** relay RY2, contact material AgNi, with two changeover contacts, in cover IP 40, for flat insert connectors - faston 4,8 x 0,5 mm and plug-in sockets, voltage version 230 V AC 50/60 Hz, with light indicator (LED diode)

Plug-in sockets and accessories for relays RY2

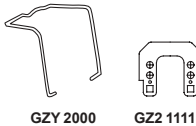
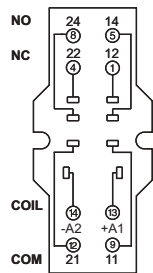
GZY2

For RY2

Screw terminals
Maximum screw torque: 0,7 Nm
35 mm rail mount acc. to PN-EN 60715
or on panel mounting
67 x 22 x 25 mm
Two poles
12 A, 250 V AC



Connection diagram



Accessories

GZY 2000

GZ2 1111

Dimensions

