

REV	DESCRIPTION	APPROVAL	DATE
J	新制定		06.05.08

REV.	DESCRIPTION	DATE
I	CORRECTED P/N Δ x1	05/31/04'
J	MODIFY CORRECTED P/N Δ x3	06/23/04'

MATERIALS AND FINISH:
 SHELL: COPPER ALLOY/TIN PLATING/INSULATOR:
 HIGH TEMP. PA6T THERMOPLASTIC
 240°C, UL 94V-0 RATED, NATURE
 CONTACTS: PHOSPHOR BRONZE/30u" GOLD PLATING

ELECTRICAL SPECIFICATIONS:
 RATED VOLTAGE: 30V AC (rms) CONTACT CURRENT RATING : 1A MAX.
 CONTACT RESISTANCE: 50 MILLIOHMS MAX.
 INSULATION RESISTANCE: 1000 MEGOHMS MIN.
 DIELECTRIC WITHSTANDING: 100V AC
 OPERATING TEMPERATURE: -55°C to +85°C

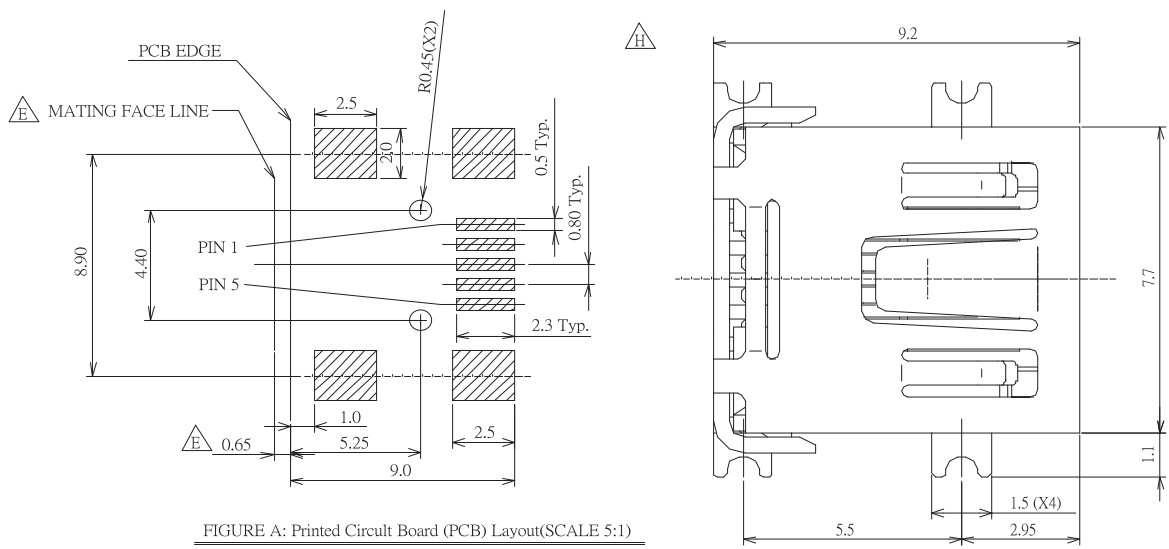
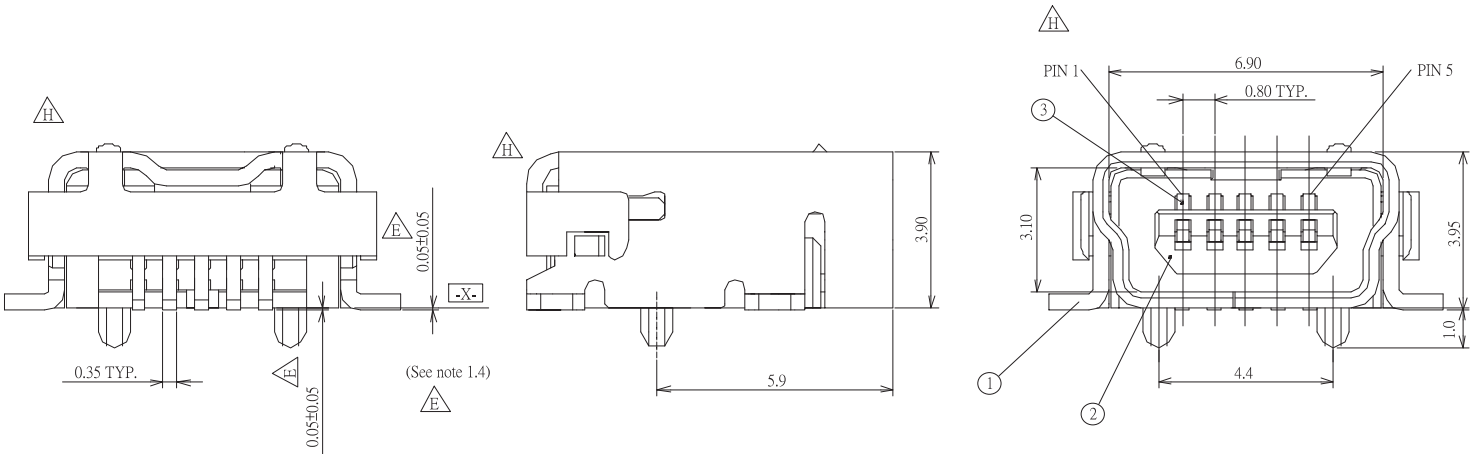


FIGURE A: Printed Circuit Board (PCB) Layout (SCALE 5:1)



ITEM	NAME	QTY	MATERIAL / FINISH
3	CONTACT	5	COPPER ALLOY/SELECTIVE GOLD PLATED ON MATING AREA (REFER TO TABLE A)
2	HOUSING	1	HIGH TEMPERATURE THERMOPLASTIC, GLASSFILLED, 240°C, UL 94V-0 RATED
1	SHELL	1	COPPER ALLOY/HALF-BRIGHT TIN PLATED OVER COPPER

PART NO.

MUSB B 5 F 03 01 K 30
 1 2 3 4 5 6 7

- 1. MINI USB B TYPE2. No. of Contact: 5 Positions
- 3. F: Socket
- 4. 03: SMT
- 5. 01: Right Angle
- 6. Color of Insulation: K Black, W White
- 7. Plating of Contact: 30: 30u" Gold, 05: 05u" Gold

NOTES:
 1.0 OTHERS:
 1.1 RECOMMENDED PC BOARD THICKNESS OF 0.8mm AND 1.57mm
 1.2 RECOMMENDED PC BOARD MOUNTING DIMENSION: REFER FIGURE A

GENERAL TOLERANCE		ANGLE TOLERANCE	
X.	±0.38	X'	±3.0°
.X	±0.25	.X'	±2.0°
.XX	±0.13	.XX'	±1.0°
.XXX	±0.05		

ROHS-COMPLIANT

貝強實業有限公司 PANSTRONG COMPANY LTD.				DRAWN BY		TOMMY	
				CHECKED			
TITLE:		MINICONN.(MINI USB) RECEPTACLE, R/A, SMT				APPROVED	
PART NO.:		MUSBB5F0301K30				DRAW NO	
DRAW. BOX NO.:							
SCALE	8:1	REV	J	UNIT	mm		

SCALE 8:1